

# BERT | FRANK

## KINS WALL LIGHT

### MAINTENANCE

- Lacquered brass version should be wiped with a soft duster.
- Coloured parts can be wiped with a dry cloth.

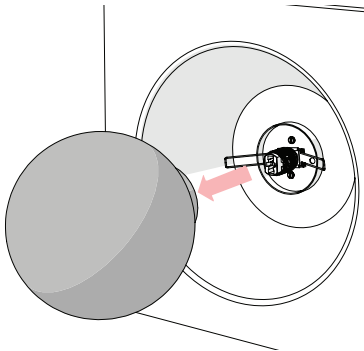
### TECHNICAL

- 1 x G9 LED bulb

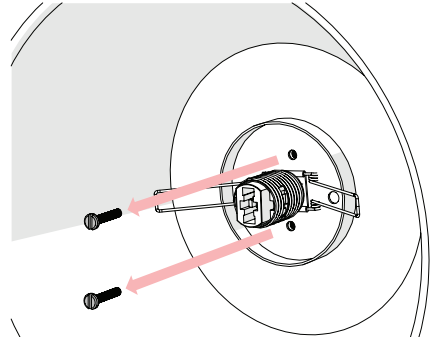
www.bertfrank.co.uk  
+44 (0)207 164 6482

### INSTALLATION

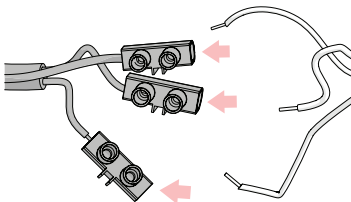
- 1** - Remove the glass globe by pulling it away from the lamp.



- 2** - Unscrew the 2 x brass dome headed screws to release the wall fixing plate from the back of the shade.

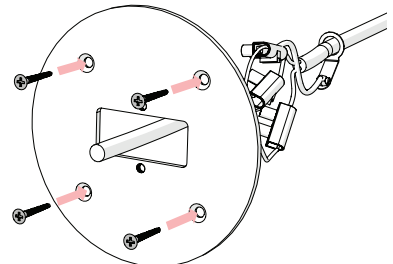


- 3** - Make electrical connection.  
- Connector block not supplied but ensure a suitable type is used.  
- Ensure to connect earth wire to earth in mains feed.



!!  
Ensure this is  
done by a  
qualified  
electrician.  
!!

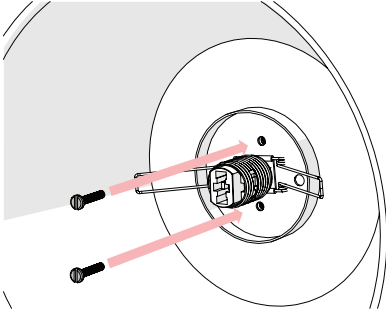
- 4** - Fix the backplate to the wall using 4 x screws.



!! Use appropriate screws and plugs for the material you are fixing it to. !!

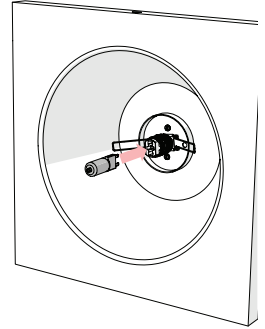
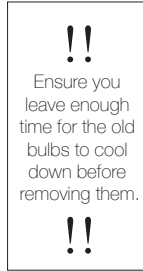
## INSTALLATION CONTINUED

- 5** - Using the 2 x brass dome headed screws connect the shade assembly to the wall mounted fixing plate.

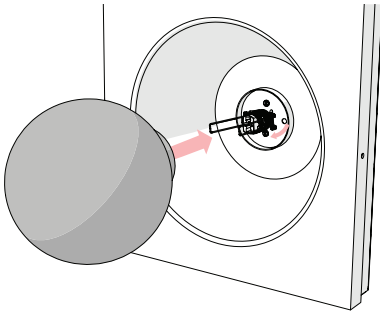


## BULB INSTALLATION / REPLACEMENT

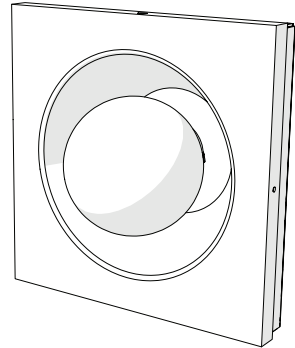
- 1** - Turn off the light at the mains.  
- Replace bulb by pushing it into the lamp holder.



- 2** - Pinch the two ends of the spring clips together.  
- Slide them back into the neck of the glass globe.  
- The globe should fit back into the collar. Be careful not to catch your fingers.



**3**



This product is only suitable for connection to the native power supply to which the unit was specifically manufactured. It is for indoor use only, and not suitable for a bathroom location.

If the Class II, double insulated symbol is on the lamp, it does not require an Earth, and Live or Neutral must not be connected to Earth. If there is no such symbol, then the lamp must be Earthed.

Never fit bulbs of a higher wattage than those specified on the label, as these may cause overheating and damage the fitting.

If the mains cable becomes damaged it must only be replaced by a technically competent, qualified person.

Allow 10 minutes to cool before replacing, adjusting or cleaning. Clean with a dry cloth only. Do not use liquid or abrasive cleaners.

If you are in any doubt about your competence please consult a qualified electrician.

If any modification is made it will invalidate the warranty and may render the product unsafe.